

SIRIO[®]

anfore

handmade in italy



2021



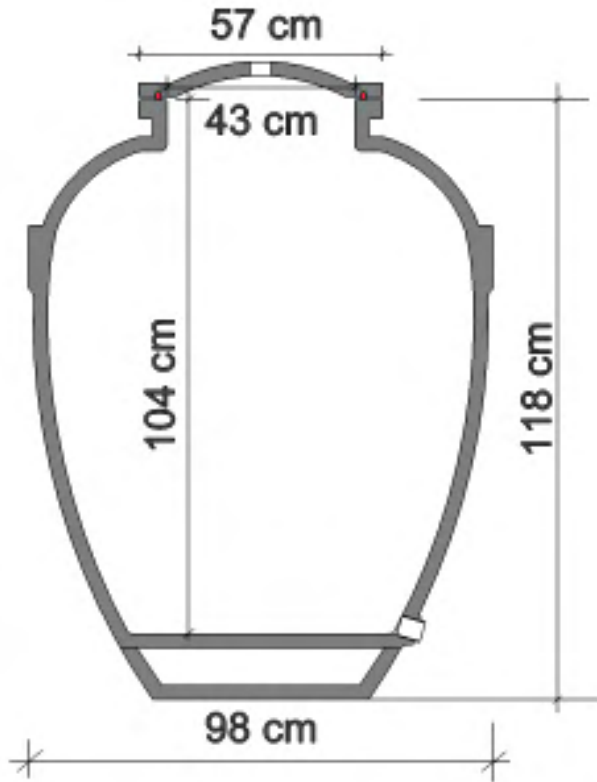
SIRIO
EAGLE

The philosophy of **Sirio Anfore**
comes from the idea to reinterpretate a classic.
Technology for secure results and easy to use.

The amphora of **Sirio**
have a programmable oxigenation
with a range from french oak
to the bottle with natural cork.

THE AMPHORA





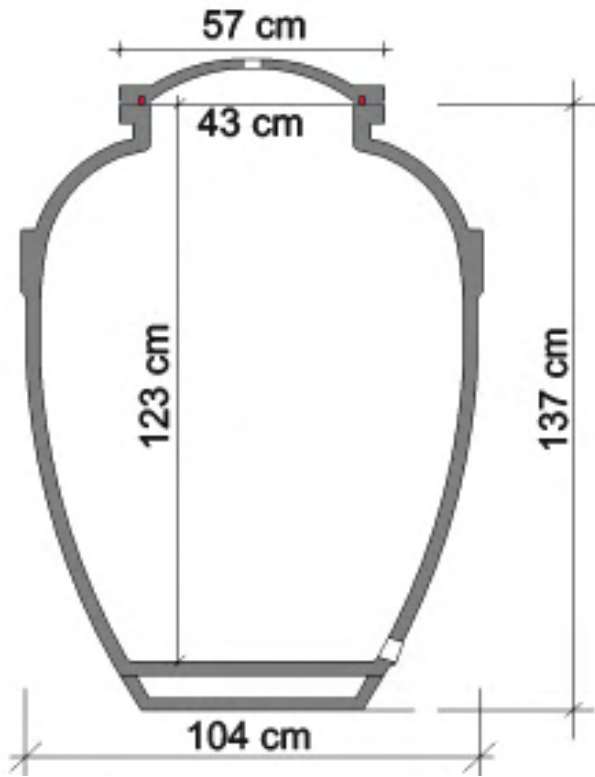
Tall: 126 cm / 49,6 inches
Max diameter: 98 cm / 38,58 inch
Weight : 200 kg / 440 pounds
Ceramic with programmed porosity
Ceramic thickness: 25 mm / 1 inch
Inside and outside hand sanded
Ceramic cap with rubber ring
Bubble hole 45 mm / 1,77 inch
Inox and bronze closing system
Quick release cap
Total out put Din 40-50-Macon Triclamp.

ANFORA 500



IRIS
-HOME-

500

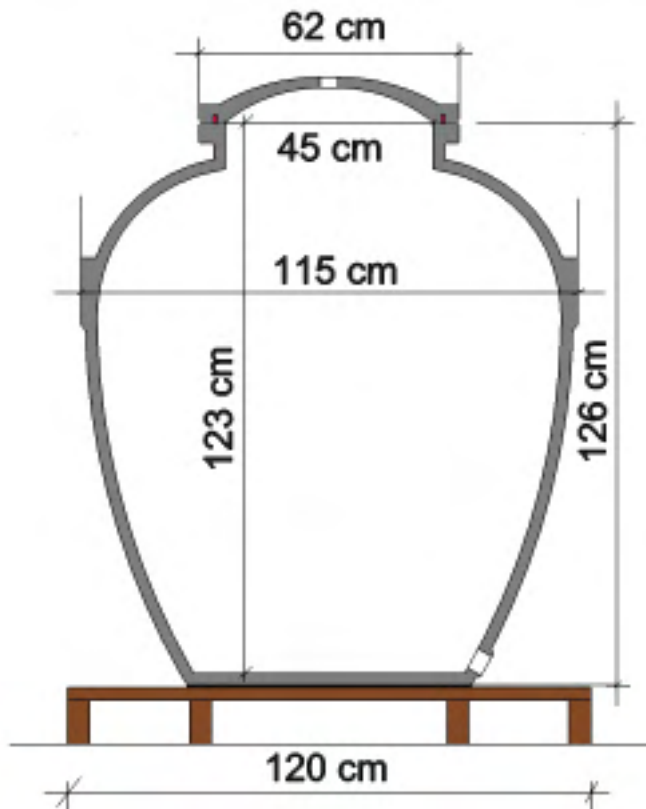


Tall: 133 cm/52,4 inch
Max diameter: 104 cm/41 inch
Weight: 250kg/550 pounds
Ceramic with programmed porosity
Ceramic thickness: 25 mm/1 inch
Inside and outside hand sanded
Ceramic cap with rubber ring
Bubble hole 45 mm/1,77 inch
Inox and bronze closing system
Quick release cap
Total out put Din 40-50-Macon Triclamp.

ANFORA 600



600



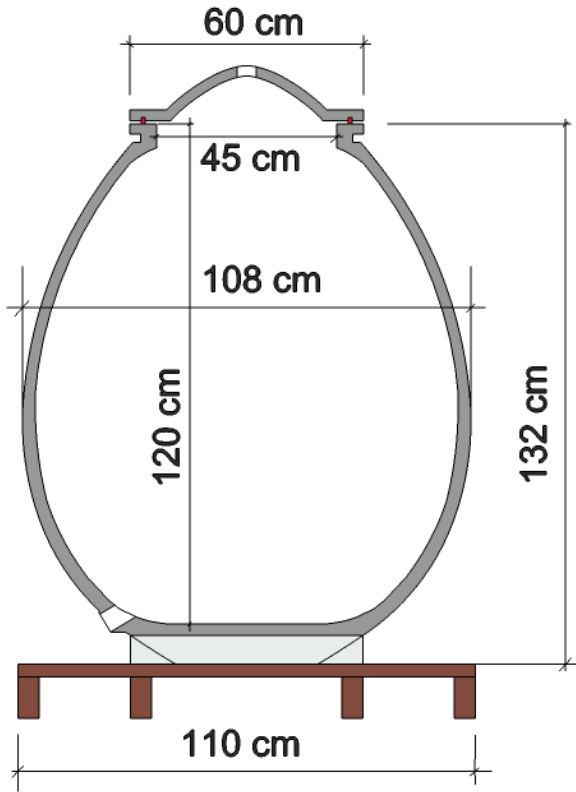
Tall: 153 cm/60,2 inch
Max diameter: 115 cm/45,28 inch
Basament: 120x120 cm/47,24 inch
Weight: 350kg/770 pounds
Ceramic with programmed porosity
Ceramic thickness: 25 mm/1 inch
Inside and outside hand sanded
Ceramic cap with rubber ring
Bubble hole 45 mm/1,77 inch
Inox and bronze closing system
Quick release cap
Total out put Din 40-50-Macon Triclamp.
Oak pallet

ANFORA 850



SIFCO
ITALY

850



Tall: 150 cm/59 inch
Max diameter: 108 cm/42,5 inch
Basament: 110x110 cm/43,30 inch
Weight: 350kg/770 pounds
Ceramic with programmed porosity
Ceramic thickness: 25 mm/1 inch
Inside and outside hand sanded
Ceramic cap with rubber ring
Bubble hole 45 mm/1,77 inch
Inox and bronze closing system
Quick release cap
Total out put Din 40-50-Macon Triclamp.
Oak pallet
Travertine basament

OVUM 690



690



GOLDEN SECTION

The golden section is one of the most ancient mathematical constants existing and it is represented in a specific spiral.

In the nature, art and architecture seems to be the geometry that express aesthetic perfection, used from the ancient times

The golden section is a magic number, and all our amphoras are created following the curve of this spiral.





ACCESSORIES

Glass Bubbler

1,5 l

trasparent glass

1,5 l

coloured glass

amber, green, grey

In Murano glass
handmade



BUBBLER



Glass Bubbler

4 l

transparent glass

4 l

coloured glass

amber, green, grey

in Murano glass

for tanks up to 150 hl

complete with Din 50

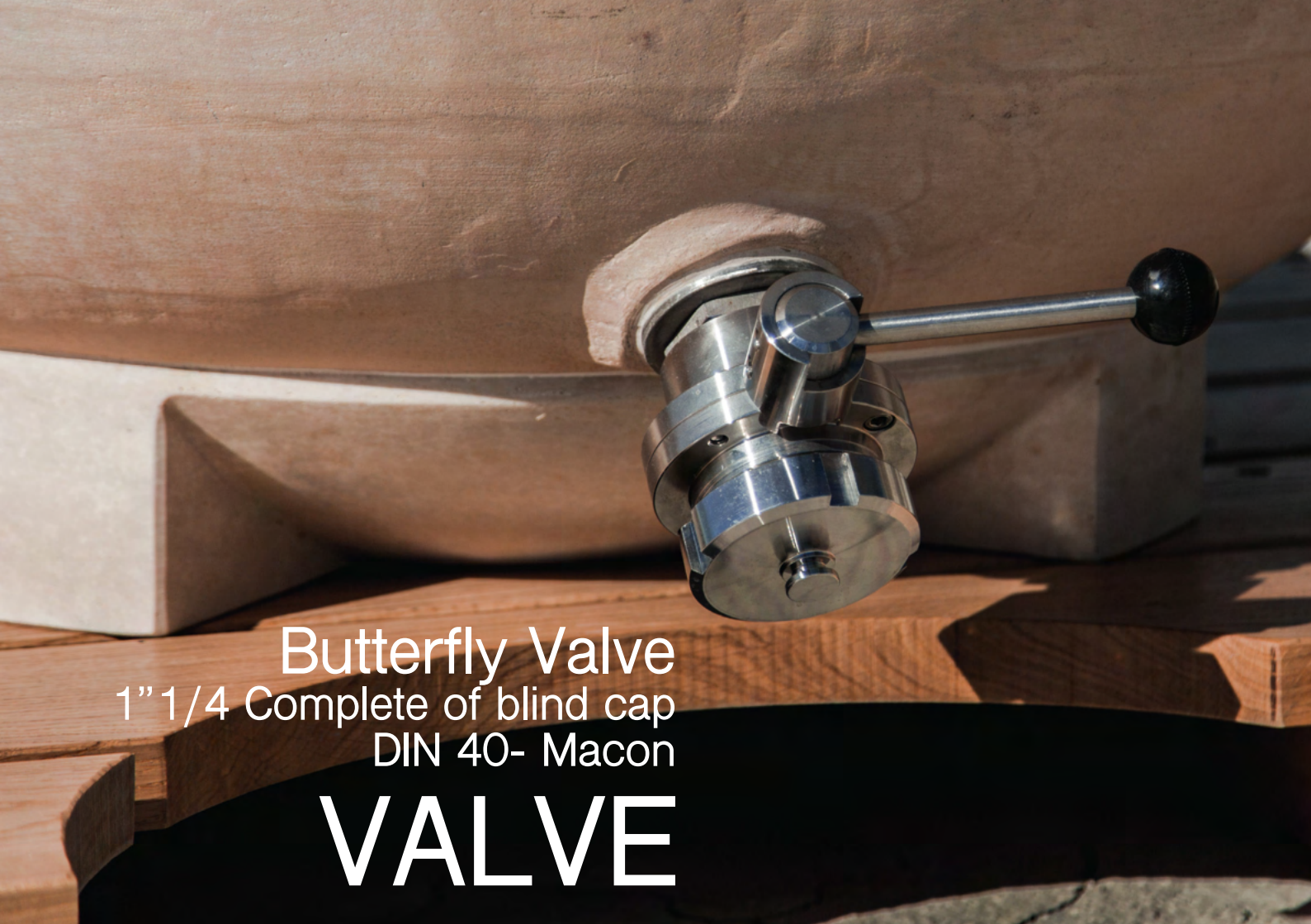


BUBBLER



Power torque screwdriver

TORQUE



Butterfly Valve
1" 1/4 Complete of blind cap
DIN 40- Macon

VALVE



Total Out Put
Inox DIN 40/50 ot Triclamp

TOTAL OUT PUT



SIRIO EASY-MOVE



**Sirio Easy-Move
Amphora Mover**
Steel Inox frame
complete with clamping strap
and rubber wheels
Movable with transpallet



SIRIO EASY-MOVE



Lifter Ring and lifting belts
including screw gate carabiners

RING



Instrument to push down
Inox steel e and teflon

FOLLATORE



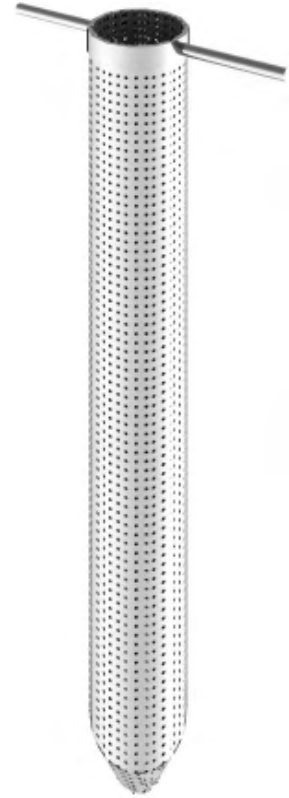
Instrument for Batonnage

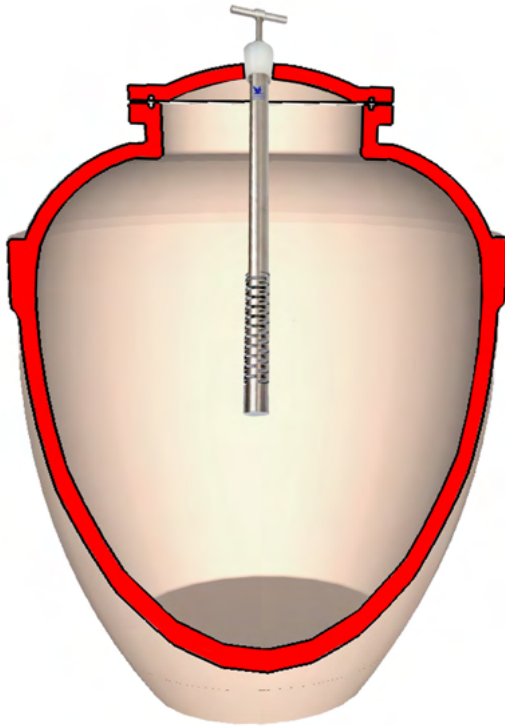
Inox steel and teflon for amphora
usable with insertion from the filling hole
without removing the cover

BATONNAGE

The Rocket
Holed cylinder with Inox 304
48 inches tall
sheet metal 8 mm

SILURO

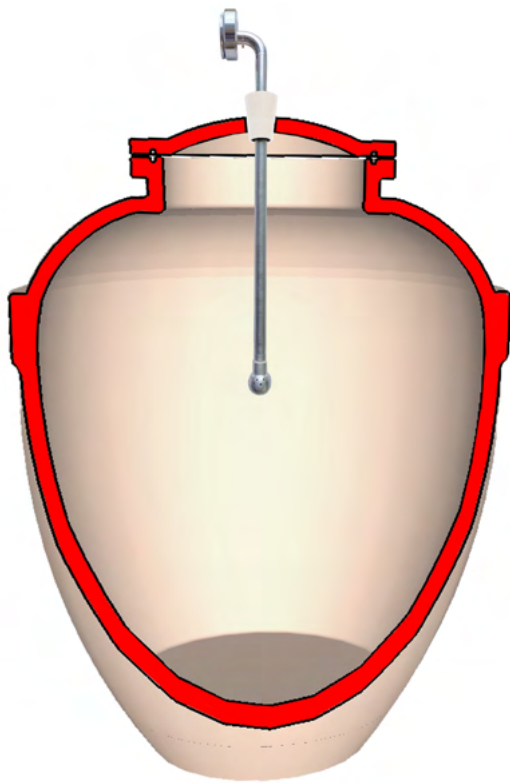




Sterilization with Ozone

Elimination of 99.8 % of bacteria, virus, odors.

STERILIZATION KIT



Stainless steel pipe with holed ball and
connection Din 40 + pipe holder free 40 mm

WASHING KIT



Steel support for amphora
with rubber seal
available for all sizes
H 13 cm

STEEL SUPPORT

Wood Box

Smoked wood box

300 l	100x100x140 cm
500 l	110x110x150 cm
600 l	115x115x150 cm
850 l	125x125x170 cm
690 l	120x120x170 cm

BOX





COTTO PIEVESE S.R.L.S.
VOC. FORNACE 1 PONTICELLI
06062 CITTA' DELLA PIEVE (PG) ITALY
SEDE OPERATIVA +39 0578 1965207

Michele Bean +39 380 3157050
Fabrizio Ratti +39 320 9190262

info@sirioanfore.com

www.sirioanfore.com